

## 1070nm 4-port High Power Optical Circulator

### FEATURES

- High Isolation
- Low Insertion Loss
- Epoxy-Free Optical Path
- High Reliability and Stability
- Low Profile Packaging

### APPLICATIONS

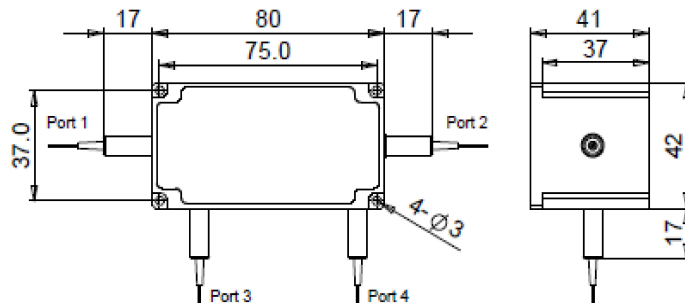
- Fiber Optic Amplifiers
- Fiber Optic Instruments
- WDM Systems
- Dispersion Compensation
- Light Routing

### SPECIFICATIONS

Parameter	Unit	Value
Center Wavelength	nm	1070
Operating Wavelength Range	nm	+/- 10
Insertion Loss@ 23 °C (1→2, 2→3, 3→4)	(Typ.) dB (Max.) dB	1.0 1.8
Isolation @ 23 °C (4→3, 3→2, 2→1)	(Typ.) dB (Min.) dB	25 22
Optical Return Loss	dB	≥45
Polarization Dependent Loss	dB	≤0.2
Fiber Type	-	HI1060 Fiber or 10/125um SC Fiber (E) 10/125um DC Fiber (O), 15/130um DC Fiber (W) 20/130um DC Fiber (Q) or 25/250um DC Fiber (R)
Fiber Tensile Load	N	5
Maximum Optical Power	W	0.5, 1, 2, 3, 5, 10, 15, 20, 25, 30
Operating Temperature	°C	0~50
Storage Temperature	°C	-10~65

- Note:**
1. Specifications are for device without connectors; Specifications may change without notice.
  2. To add connectors, IL is 0.5dB higher, RL is 5dB lower.
  3. Only guarantee 1W continuous wave (CW) power thru testing for connectors added.
  4. Devices for higher optical power or with other type fiber or consigned fiber are also available; Devices can only work in the core of Double Cladding (DC) Fiber, Cladding Power must be stripped before connecting the device

### PACKAGE DIMENSION



### ORDERING INFORMATION (PN)

<b>FCIR-</b>	<b>NNNN</b>	<b>-4HP NN</b>	<b>-</b>	<b>(C)</b>	<b>C</b>	<b>NN</b>	<b>-</b>	<b>CC/CCC</b>
	<i>Center Wavelength</i>	<i>Optical Power</i>		<i>Fiber Type</i>	<i>Fiber Sleeve</i>	<i>Fiber Length</i>		<i>Connector Type</i>
	1070=1070nm	05=500mW		E=10/125 SC Fiber	B= Bare fiber	05=0.5m		N=Without Connector
		1=1W		Q=20/130 DC Fiber	L= Loose Tube	10=1.0m		FC/APC=FC/APC Connector
		5=5W		R=25/250 DC Fiber	2= 2mm Cable	15=1.5m		LC/PC=LC/PC Connector
		20=20W		Blank for HI1060 Fiber	3= 3mm Cable	20=2.0m		SC/UPC=SC/UPC Connector