

1080nm 4-port High Power Optical Circulator

FEATURES

- High Isolation
- Low Insertion Loss
- Epoxy-Free Optical Path
- High Reliability and Stability
- Low Profile Packaging

APPLICATIONS

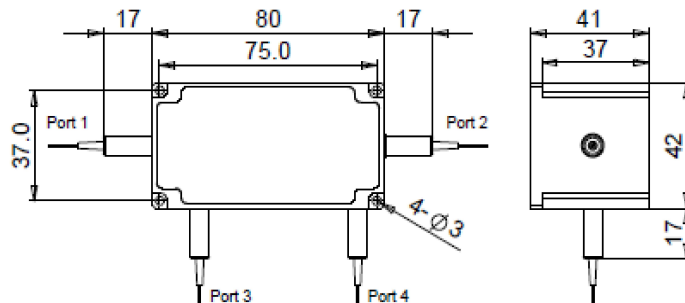
- Fiber Optic Amplifiers
- Fiber Optic Instruments
- WDM Systems
- Dispersion Compensation
- Light Routing

SPECIFICATIONS

Parameter	Unit	Value
Center Wavelength	nm	1080
Operating Wavelength Range	nm	+/- 10
Insertion Loss@ 23 °C (1→2, 2→3, 3→4)	(Typ.) dB (Max.) dB	1.2 1.8
Isolation @ 23 °C (4→3, 3→2, 2→1)	(Typ.) dB (Min.) dB	23 20
Optical Return Loss	dB	≥45
Polarization Dependent Loss	dB	≤0.2
Fiber Type	-	HI1060 Fiber or 10/125um SC Fiber (E) 10/125um DC Fiber (O), 15/130um DC Fiber (W) 20/130um DC Fiber (Q) or 25/250um DC Fiber (R)
Fiber Tensile Load	N	5
Maximum Optical Power	W	0.5, 1, 2, 3, 5, 10, 15, 20, 25, 30
Operating Temperature	°C	0~50
Storage Temperature	°C	-10~65

- Note:**
1. Specifications are for device without connectors; Specifications may change without notice.
 2. To add connectors, IL is 0.5dB higher, RL is 5dB lower.
 3. Only guarantee 1W continuous wave (CW) power thru testing for connectors added.
 - 4.Devices for higher optical power or with other type fiber or consigned fiber are also available; Devices can only work in the core of Double Cladding (DC) Fiber, Cladding Power must be stripped before connecting the device

PACKAGE DIMENSION



ORDERING INFORMATION (PN)

FCIR-	NNNN	-4HP NN	- (C)	C	NN	- CC/CCC
	<i>Center Wavelength</i>	<i>Optical Power</i>	<i>Fiber Type</i>	<i>Fiber Sleeve</i>	<i>Fiber Length</i>	<i>Connector Type</i>
	1080=1080nm	05=500mW	E=10/125 SC Fiber	B= Bare fiber	05=0.5m	N=Without Connector
		1=1W	Q=20/130 DC Fiber	L= Loose Tube	10=1.0m	FC/APC=FC/APC Connector
		5=5W	R=25/250 DC Fiber	2= 2mm Cable	15=1.5m	LC/PC=LC/PC Connector
		20=20W	Blank for HI1060 Fiber	3= 3mm Cable	20=2.0m	SC/UPC=SC/UPC Connector