

960~1000nm High Power Optical Isolator for Pulse Power

FEATURES

- High Isolation
- Low Insertion Loss
- Epoxy-Free Optical Path
- High Reliability and Stability
- Low Profile Packaging

APPLICATIONS

- Broadband Systems
- Optical Amplifying Systems
- Telecommunication Networks
- Metro Networks
- CATV Networks

SPECIFICATIONS

Parameter	Unit	Single Stage	Dual Stage D Type	Dual Stage L Type
Center Wavelength (λ_c)	nm	975, 980, 990, 1000		
Operating Wavelength Range	nm	+/-10		
Peak Isolation (Typ.)	dB	28	40	
Min. Isolation (23°C)	dB	22	35	
Typical Insertion Loss (λ_c , 23°C)	dB	0.9	1.1	1.3
Max. Insertion Loss (λ_c , 23°C)	dB	1.5	1.8	
Optical Return Loss (Input/Output)	dB	50/50		
Max. Polarization Dependent Loss	dB	0.15		
Configuration	-	Standard: 2-Port; Y Type: 3-Port, Backward Power Guide Out		
Fiber Type	Input&Output	-	HI1060 Fiber or 10/125um SC Fiber (E)	
		-	10/125um DC Fiber (O), 15/130um DC Fiber (W)	
	3 rd Port (Y Type)	-	20/130um DC Fiber (Q) or 25/250um DC Fiber (R)	
		-	Same Fiber or 105/125um MM Fiber	
Fiber Tensile Load	N	5		
Max. Average Optical Power	W	0.3, 0.5, 1, 2, 3, 5, 10, 15, 20, 30, 50, 60, 80, 100		
Max. Peak Power for Pulse	kW	0.1, 1, 2, 3, 5, 10, 15, 20		
Max. Backward Average Power	W	0.3, 0.5, 1, 2, 3, 5, 10		
Operating Temperature	°C	0~50		
Storage Temperature	°C	-20~75		

Note: 1. Specifications are for device without connectors; Specifications may change without notice.

2. To add connectors, IL is 0.5dB higher, RL is 5dB lower.

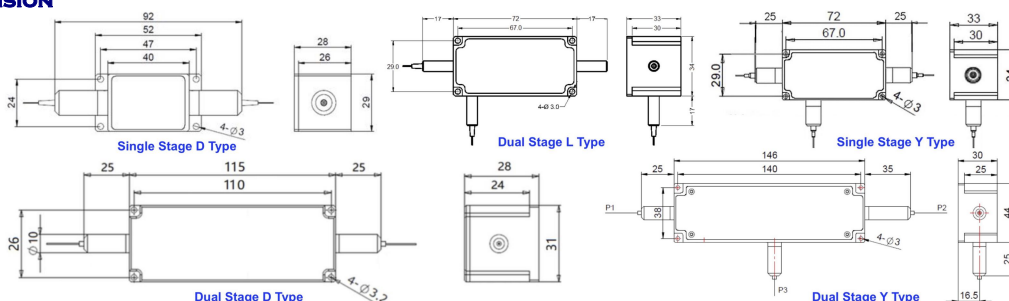
3. Only guarantee 1W continuous wave (CW) power thru testing for connectors added.

4. Suggest to use Y type for >20W Optical Power or continuous backward power of $\geq 500\text{mW}$.

5. Devices for higher optical power or with other type fiber or consigned fiber are also available; Devices can only work in the core of Double Cladding (DC) Fiber, Cladding Power must be stripped before connecting the device.

6. Package dimensions may be different for different fiber type, configuration and optical power.

PACKAGE DIMENSION



ORDERING INFORMATION (PN)

FISO-NNN	- (C)	(C)	-H NN	P NN	- (NN)	- (C)	C	NN	-CC/CCC
Center Wavelength	Stage	3 rd Port Fiber	Average Power	Peak Power	Backward Power	Fiber Type	Fiber Sleeve	Fiber Length	Connector Type
975-975nm	D=D Type	Y= Same Fiber	1=1W	01=100W	05=500mW	E=10/125um SC Fiber	B= Bare Fiber	05=0.5m	N=Without Connector
980-980nm	L=L Type	A=105/125um Fiber	5=5W	1=1kW	1=1W	Q=20/130um DC Fiber	L= Loose Tube	10=1.0m	FC/APC=FC/APC Connector
990-990nm	Blank for Single	Blank for Standard	10=10W	10=10kW	10=10W	R=25/250um DC Fiber	2= 2mm Cable	15=1.5m	LC/PC=LC/PC Connector
1000-1000nm			100=100W	20=20kW	Blank for 300mW	Blank for HI1060 Fiber	3= 3mm Cable	20=2.0m	SC/UPC=SC/UPC Connector

