

750~810nm 4-port PM Optical Circulator for Pulse Power

FEATURES

- High Isolation
- Low Insertion Loss
- Epoxy-Free Optical Path
- High Reliability and Stability
- Low Profile Packaging

APPLICATIONS

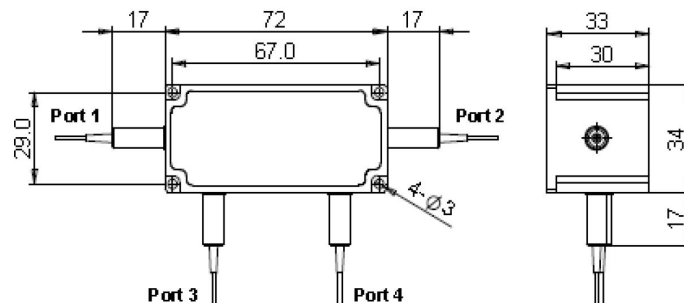
- Fiber Optic Amplifiers
- Fiber Optic Instruments
- WDM Systems
- Dispersion Compensation
- Light Routing

SPECIFICATIONS

Parameter	Unit	Value	
Working Wavelength	nm	750±10, 780±10, 793±10, 808±10	
Insertion Loss@23°C	(Typ.)	dB	1.6
	(Max.)	dB	2.0
Isolation@23°C	(Typ.)	dB	19
	(Min.)	dB	16
Extinction Ratio	dB	≥18	
Optical Return Loss	dB	≥45	
Cross Talk	dB	≥40	
Work Mode	S Type	-	Can only work in slow axis
	F Type	-	Can work both in Slow and Fast Axis
Fiber Type	-	PM850 Fiber or PM780-HP Fiber	
Fiber Tensile Load	N	5	
Maximum Average Power	W	0.3, 0.5, 1, 2, 3, 5, 10, 15, 20	
Max. Peak Power for Pulse	kW	0.1, 1, 2, 3, 5, 10, 15, 20	
Operating Temperature	°C	0~50	
Storage Temperature	°C	-10~65	

- Note:**
1. Specifications are for device without connectors; Specifications may change without notice.
 2. To add connectors, IL is 0.7dB higher, RL is 5dB lower, ER is 2dB Lower, Connector key is aligned to slow axis.
 3. Only guarantee 1W continuous wave (CW) power thru testing for connectors added.
 4. Devices for higher optical power or with other type fiber or consigned fiber are also available.

PACKAGE DIMENSION



ORDERING INFORMATION (PN)

FPCR-	NNN	- (C)	4H	NN	P NN	- N	C	NN	-CC/CCC
Center Wavelength	Work Mode	Average Power	Peak Power	Fiber Type	Fiber Sleeve	Fiber Length	Connector Type		
750-750nm	F=F Type	03- 300mW	01- 100W	2-PM850 Fiber	B- Bare fiber	05-0.5m	N-Without Connector		
780-780nm	Blank for S Type	1- 1 Watts	1- 1kW	7-PM780-HP Fiber	L- Loose Tube	10-1.0m	FC/APC=FC/APC Connector		
790-790nm		3- 3 Watts	3-3kW		2-2mm Cable	15-1.5m	LC/PC=LC/PC Connector		
808-808nm		10- 10 Watts	10- 10kW		3-3mm Cable	20-2.0m	SC/UPC=SC/UPC Connector		