

1x1 or 1x2 PM Opto-Mechanical Switch

FEATURES

- Unmatched Low Cost
- Low Insertion Loss
- Epoxy-Free Optical Path
- High Reliability and Stability
- High Stability

APPLICATIONS

- Configurable Optical Networks
- Fiber Optic Instruments
- Optical Signal Routing
- Testing Instruments
- System Monitoring

SPECIFICATIONS

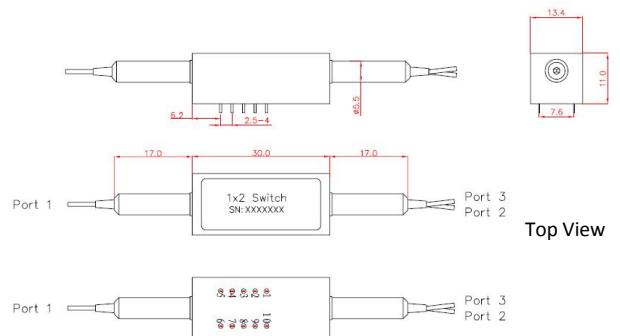
Parameters	Unit	Value
Working Wavelength	nm	1530-1570
Insertion Loss	dB	≤1.0
Return Loss	dB	≥55
Extinction Ratio	dB	≥18
Cross Talk	dB	≥55
Switching Speed	ms	≤10
Durability	cycle	≥10,000,000
Repeatability	dB	≤+/-0.03
Operating Voltage	V	5
Fiber Type	-	PM1550 Panda Fiber
Fiber Tensile Load	N	5
Maximum Optical Power (CW)	mW	300
Operating Temperature	°C	0~70
Storage Temperature	°C	-40~85

- Note:**
- Specifications are for device without connectors; Specifications may change without notice.
 - To add connectors, IL is 0.3dB higher, RL is 5dB lower, ER is 2dB Lower, Connector key is aligned to slow axis.
 - Devices for higher optical power or with other type fiber or consigned fiber are also available.

PIN CONFIGURATION

LATCHING	Electrical Drive				Status Sensor			
	Pin 1	Pin 10	Pin 5	Pin 6	Pin 2-3	Pin 3-4	Pin 7-8	Pin 8-9
TYPE	Pin 1	Pin 10	Pin 5	Pin 6	Pin 2-3	Pin 3-4	Pin 7-8	Pin 8-9
Path 1-2	V+	GND	NC	NC	Open	Close	Close	Open
Path 1-3	GND	V+	NC	NC	Close	Open	Open	Close
NON-LATCHING	Electrical Drive				Status Sensor			
	Pin 1	Pin 10	Pin 5	Pin 6	Pin 2-3	Pin 3-4	Pin 7-8	Pin 8-9
TYPE	Pin 1	Pin 10	Pin 5	Pin 6	Pin 2-3	Pin 3-4	Pin 7-8	Pin 8-9
Path 1-2	V+	GND	NC	NC	Open	Close	Close	Open
Path 1-3	NC	NC	NC	NC	Close	Open	Open	Close

PACKAGE DIMENSION



ORDERING INFORMATION (PN)

FPMS-	NNNN	- NXN	C	- N	C	NN	- CC/CC
<i>Center Wavelength</i>	<i>Configuration</i>	<i>Latching</i>	<i>Fiber Type</i>	<i>Fiber Sleeve</i>	<i>Fiber Length</i>	<i>Connector Type</i>	
1550=1550nm	1X1= 1x1 Type 1X2= 1x2 Type	L= Latching N=Non-Latching	2= 250um Panda PM Fiber	B= Bare Fiber L= Loose Tube 2= 2mm Cable 3= 3mm Cable	05=0.5m 10=1.0m 15=1.5m 20=2.0m	N=Without Connector FC/APC=FC/APC Connector LC/PC=LC/PC Connector SC/UPC=SC/UPC Connector	