

460~690nm Multimode Manual Adjustable Optical Attenuator

FEATURES

- ▣ Low Excess Loss
- ▣ Various Attenuation
- ▣ Wide Passband
- ▣ High Stability and Reliability
- ▣ Epoxy Free Optical Path

APPLICATIONS

- ▣ Optical Amplifier
- ▣ Optical Networks
- ▣ Power Monitoring
- ▣ Fiber Sensor
- ▣ Labs

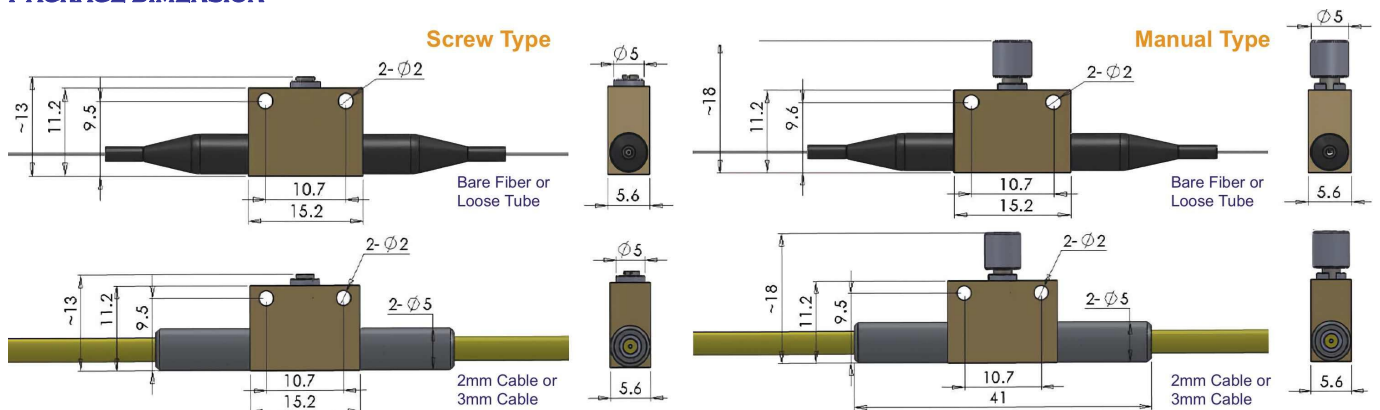


SPECIFICATIONS

Parameter	Unit	Value
Center Wavelength	nm	460, 488, 520, 532, 635, 650, 660, 690
Bandwidth	nm	+/- 10
Max. Insertion Loss	dB	1.5
Attenuation Range	dB	0.8~30
Resolution (<10dB attenuation)	dB	≤0.5
Optical Return Loss	dB	≥30
Fiber Type	-	50/125um GIMM Fiber(5) or 62.5/125um GIMM Fiber(6) 50/125um GIMM OM3 Fiber(3) or 106.5/125um NA=0.22(J) 105/125um NA=0.12(D), NA=0.15(B) or NA=0.22(A)
Fiber Tensile Load	N	5
Max. Optical Power (CW)	mW	30
Operating Temperature	°C	0~50
Storage Temperature	°C	-40~85

- Note:**
1. Specifications are for device without connectors; Specifications may change without notice.
 2. To add connectors, IL is 0.3dB higher, RL is 10dB lower.
 3. Specifications are tested at low order modes.
 4. Devices with other wavelength range are also available per request.
 5. Devices for higher optical power or with other type fiber or consigned fiber are also available.

PACKAGE DIMENSION



ORDERING INFORMATION (PN)

PMAM-NNN	-	(C)	C	C	NN	-	CC/CCC
<i>Center Wavelength</i>		<i>Package</i>	<i>Fiber Type</i>	<i>Fiber Sleeve</i>	<i>Fiber Length</i>		<i>Connector Type</i>
488=488nm		M=Manual Type	5= 50/125um MM Fiber	B= Bare fiber	05=0.5m		N=Without Connector
532=532nm		Blank for Screw Type	6= 62.5/125um MM Fiber	L= Loose Tube	10=1.0m		FC/APC=FC/APC Connector
635=635nm			A= 105/125um, NA=0.22	2= 2mm Cable	15=1.5m		LC/PC=LC/PC Connector
660=660nm			B=105/125um, NA=0.15	3= 3mm Cable	20=2.0m		SC/UPC=SC/UPC Connector