

1300~1590nm Multimode High Power Manual VOA

FEATURES

- ❑ Low Excess Loss
- ❑ Various Attenuation
- ❑ Wide Passband
- ❑ High Stability and Reliability
- ❑ Epoxy Free Optical Path

APPLICATIONS

- ❑ Optical Amplifier
- ❑ Optical Networks
- ❑ Power Monitoring
- ❑ Fiber Sensor
- ❑ Labs

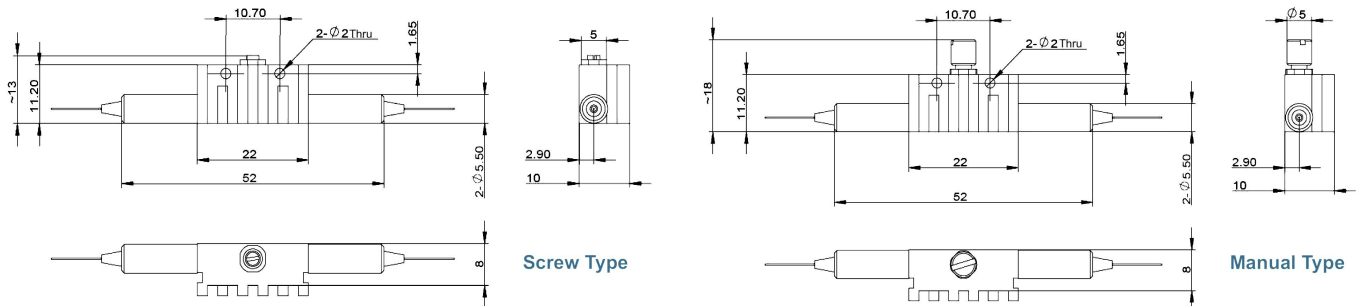


SPECIFICATIONS

| Parameter | Unit | Value | |
|--------------------------------|------|--|-----------|
| Working Wavelength | nm | 1300, 1480, 1550, 1590 | C+L Band |
| Bandwidth | nm | +/-20 | 1525~1610 |
| Max. Insertion Loss | dB | 1.0 | 1.2 |
| Attenuation Range | dB | 0.6~30 | |
| Resolution (<10dB attenuation) | dB | ≤0.3 | |
| Optical Return Loss | dB | ≥30 | |
| Fiber Type | - | 50/125um GIMM Fiber(5) or 62.5/125um GIMM Fiber(6) 50/125um GIMM OM3 Fiber(3) or 106.5/125um NA=0.22(J) 105/125um NA=0.12(D), NA=0.15(B) or NA=0.22(A) | |
| Fiber Tensile Load | N | 5 | |
| Max. Thru Optical Power (CW) | W | 1, 2 | |
| Operating Temperature | °C | 0~50 | |
| Storage Temperature | °C | -40~85 | |

- Note:**
1. Specifications are for device without connectors; Specifications may change without notice.
 2. To add connectors, IL is 0.3dB higher, RL is 10dB lower.
 3. Only guarantee 1W continuous wave (CW) power thru testing for connectors added.
 4. Specifications are tested at low order modes.
 5. Devices with other wavelength range are also available per request.
 6. Devices for higher optical power or with other type fiber or consigned fiber are also available.

PACKAGE DIMENSION



ORDERING INFORMATION (PN)

| PMAM-NNNN | - (C) | HP | NN | - C | C | NN | - CC/CCC |
|-------------------|----------------------|---------------|------------------------|---------------|--------------|-------------------------|----------|
| Center Wavelength | Package | Optical Power | Fiber Type | Fiber Sleeve | Fiber Length | Connector Type | |
| 1300~1300nm | M=Manual Type | 1=1W | 5= 50/125um MM Fiber | B= Bare fiber | 05=0.5m | N=Without Connector | |
| 1550~1550nm | Blank for Screw Type | 2=2W | 6= 62.5/125um MM Fiber | L= Loose Tube | 10=1.0m | FC/APC=FC/APC Connector | |
| 1590~1590nm | | 5=5W | A= 105/125um, NA=0.22 | 2= 2mm Cable | 15=1.5m | LC/PC=LC/PC Connector | |
| CL=C+L Band | | 10=10W | B=105/125um, NA=0.15 | 3= 3mm Cable | 20=2.0m | SC/UPC=SC/UPC Connector | |